



# IB9381-HT/EHT

## Bullet Network Camera

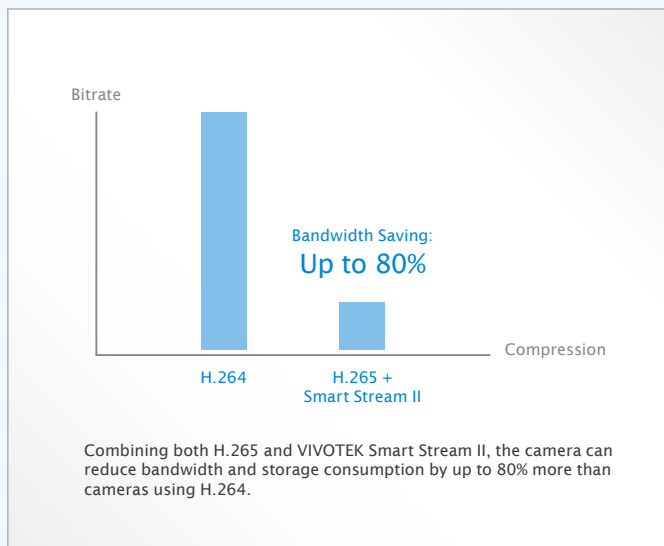


5MP · H.265 · Smart Stream II · 1080p 60 fps · WDR Pro · SNV · IP66 · IK10 · Extreme Weather · P-iris · 30M IR

VIVOTEK's IB9381-HT and IB9381-EHT are two brand-new professional H.265 high-efficiency outdoor bullet network cameras, offering 30 fps @ 5-Megapixel or 60 fps @ 1080p with outstanding image quality. By employing H.265 technology, these cameras are able to provide higher and more efficient image compression rates than previous H.264 systems. In addition, VIVOTEK's sophisticated Smart Stream II technology enables the cameras to optimize quality for desired regions and therefore to maximize efficiency of bandwidth usage. Combining both H.265 and Smart Stream II, the IB9381-HT and IB9381-EHT can reduce bandwidth and storage consumption by up to 80%\* while retaining exceptional 5-Megapixel image quality.

As professional day/night cameras, the IB9381-HT and IB9381-EHT are also equipped with WDR Pro and SNV, empowering users to enjoy superb image-detail in all lighting conditions. Additionally, robust IP66-rated housing ensures the ability of these advanced cameras to withstand rain and dust, thus guaranteeing smooth operation no matter how harsh the weather conditions. The cameras' IK10-rated metal housing will also provide protection against acts of vandalism and other physical impacts. Finally, a wide operating temperature range further enhances the performance and reliability of the IB9381-EHT in both extremely cold and extremely warm weather, even while using PoE.

\* Depending on scenes



### Key Features

- H.265 Compression Technology
- 1/1.8" Progressive CMOS Sensor
- 30 fps @ 2560x1920; 60 fps @ 1920x1080
- Smart Stream II to Optimize Bandwidth Efficiency
- Built-in IR Illuminators, Effective up to 30 Meters
- Remote Focus for Easy Focus Adjustments
- WDR Pro for Unparalleled Visibility in High Contrast Environments
- Weather-proof IP66-rated and Vandal-proof IK10-rated Metal Housing
- Extreme Weather Support with PoE
- SNV (Supreme Night Visibility) for Low Light Conditions
- Video Rotation for Corridor View
- P-iris Lens
- DIS (Digital Image Stabilization)



Parking Lot



Train Station



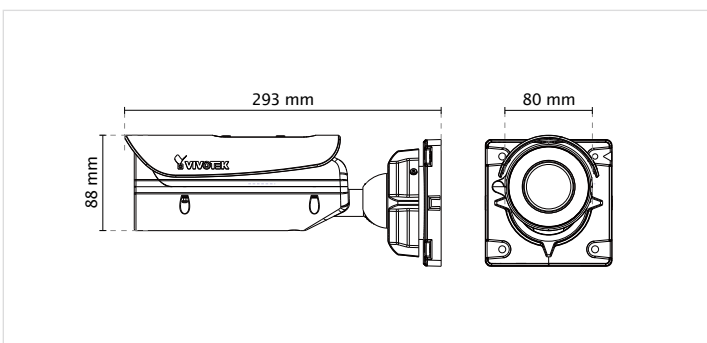
City Surveillance

## Technical Specifications

Model	IB9381-HT: Remote Focus IB9381-EHT: Remote Focus, Extreme Weather
<b>System Information</b>	
CPU	Multimedia SoC (System-on-Chip)
Flash	128MB
RAM	512MB
<b>Camera Features</b>	
Image Sensor	1/1.8" Progressive CMOS
Maximum Resolution	2560x1920 (5MP)
Lens Type	Vari-Focal
Focal Length	f = 4 ~ 9 mm
Aperture	F1.3 ~ F2.2
Auto-iris	P-iris
Field of View	45° ~ 84° (Horizontal) 34° ~ 62° (Vertical) 64° ~ 113° (Diagonal)
Shutter Time	1/5 sec. to 1/32,000 sec.
WDR Technology	WDR Pro
Day/Night	Removable IR-cut filter for day & night function
Minimum Illumination	0.04 Lux @ F1.3 (Color) 0.001 Lux @ F1.3 (B/W)
Pan/Tilt/Zoom Functionalities	ePTZ: 48x digital zoom (4x on IE plug-in, 12x built in)
IR Illuminators	30 meters
On-board Storage	Slot type: SD/SDHC/SDXC card slot Seamless Recording
<b>Video</b>	
Compression	H.265 & H.264 & MJPEG
Maximum Frame Rate	H.265 & H.264: 30 fps @ 2560x1920 60 fps @ 1920x1080 MJPEG: 12 fps @ 2560x1920 30 fps @ 1920x1080
Maximum Streams	4 simultaneous streams
S/N Ratio	57 dB
Dynamic Range	100 dB
Video Streaming	Adjustable resolution, quality and bitrate Smart Stream II
Image Settings	Time stamp, text overlay, flip & mirror Configurable brightness, contrast, saturation, sharpness, white balance, exposure control, gain, backlight compensation, privacy masks Scheduled profile settings, 3DNR, video rotation, defog, DIS
<b>Audio</b>	
Audio Capability	Two-Way Audio (full duplex)
Compression	G711, G726
Interface	External microphone input Audio output
<b>Network</b>	
Users	Live viewing for up to 10 clients
Protocols	IPv4, IPv6, TCP/IP, HTTP, HTTPS, UPnP, RTSP/RTP/RTCP, IGMP, SMTP, FTP, DHCP, NTP, DNS, DDNS, PPPoE, CoS, QoS, SNMP, 802.1X, UDP, ICMP, ARP, SSL, TLS, CIFS/SMB
Interface	10 Base-T/100 BaseTX Ethernet (RJ-45) *It is highly recommended to use standard CAT5e & CAT6 cables which are compliant with the 3P/ETL standard.
ONVIF	Supported, specifications available at <a href="http://www.onvif.org">www.onvif.org</a>
<b>Intelligent Video</b>	
Video Motion Detection	Five-window video motion detection

<b>Alarm and Event</b>	
Alarm Triggers	Motion detection, manual trigger, digital input, periodical trigger, system boot, recording notification, camera tampering detection, audio detection
Alarm Events	Event notification using digital output, HTTP, SMTP, FTP, NAS server and SD Card File upload via HTTP, SMTP, FTP, NAS server and SD card
<b>General</b>	
Smart Focus System	Remote Focus
Connectors	RJ-45 cable connector for Network/PoE connection Audio input Audio output DC 12V power input Digital input*1 Digital output*1
LED Indicator	System power and status indicator
Power Input	DC 12V IB9381-HT: IEEE 802.3af/at PoE Class 0 IB9381-EHT: IEEE 802.3at PoE Class 4
Power Consumption	IB9381-HT: Max. 12.7 W IB9381-EHT: Max. 25.5 W (Heater on)
Dimensions	Ø 88 x 293 mm
Weight	IB9381-HT: 1182 g IB9381-EHT: 1193 g
Casing	Weather-proof IP66-rated housing Vandal-proof IK10-rated metal housing
Safety Certifications	CE, LVD, FCC Class A, VCCI, C-Tick, UL
Operating Temperature	IB9381-HT: Starting Temperature: -10°C ~ 50°C (14°F ~ 122°F) Working Temperature: -20°C ~ 50°C (-4°F ~ 122°F) IB9381-EHT: Starting Temperature: -40°C ~ 50°C (-40°F ~ 122°F) Working Temperature: -50°C ~ 50°C (-58°F ~ 122°F)
Humidity	90%
Warranty	36 months
<b>System Requirements</b>	
Operating System	Microsoft Windows 7/8
Web Browser	Mozilla Firefox 7-10 (streaming only) Internet Explorer 10/11
Other Players	VLC: 1.1.11 or above Quicktime: 7 or above
<b>Included Accessories</b>	
CD	User's manual, quick installation guide, Shepherd, VAST
Others	Quick installation guide, sun shield, alignment sticker, desiccant bag, waterproof connector, screw pack, CD

## Dimensions



## Compatible Accessories

### Mounting Kits



**AM-312**  
Pole Mount Adapter



**AM-412**  
Corner Mount Adapter



**AM-714**  
Junction Box